

## Self-priming pumps

## Type AU 56 - AU 63



### Usages:

These pumps are suitable for transferring liquids containing impurities measuring up to 30 micron.

The hydraulic components, namely the brass scroll, the bottom in cast iron and the aluminium pump body, allow the pumps to be used with emulsions, oily substances and liquids in general as long as they are not oxidative for construction materials.

Viscosity must not exceed 3° Engler (21 CST).

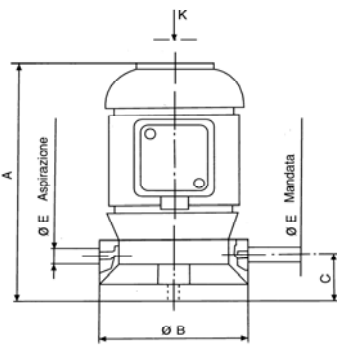
They must be installed at the top of the tank and must be primed before use.

If the pump sucks in air due to lack of liquid, priming must be repeated.

To ensure a long life for the pump, never let it turn when it is dry since the mechanical seal is not self-lubricated.

Where possible, the installation of a suction filter is recommended.

**For other usages you are advised to consult our technical office.**



### Dimensions and weights

TYPE	A	ØB	C	D	ØE	ØF	ØG	Kg.
	mm	mm	mm		mm	mm	mm	
<b>AU 56</b>	215	115	48	144	3/8"	95	7	4,33
					1/2"			
<b>AU 63</b>	270	115	48	165	1/2"	95	7	5,05

### Electrical features

Type	KW. Input	Hz. 50		Hz. 60			
		230/400	254-290/440-500	230/400	208-230/440-460	254-290/440-500	318-346/550-600
<b>AU 56</b>	0,16	0,9/0,55	0,7/0,4	1,1/0,64	0,98/0,57	0,9/0,55	0,74/0,42
<b>AU 63</b>	0,30	1,0/0,58	0,76/0,44	1,2/0,7	1,0/0,6	1,0/0,58	0,8/0,45

